

KR Electronics, Inc.

General Description

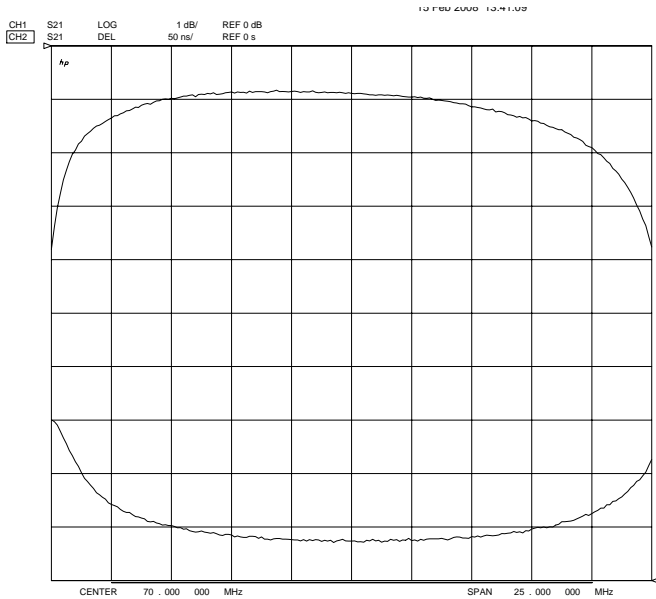
KR 2471-75-BNC is a 70 MHz bandpass filter. The filter has a 3 dB bandwidth of 25 MHz and is designed for 75 Ω source and load impedance. Other center frequencies and bandwidths are available. Please consult the factory.

Features

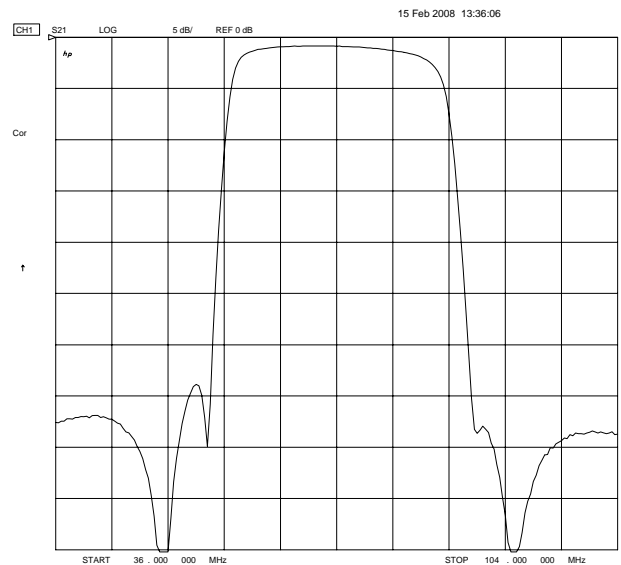
- 70 MHz Bandpass
- 25 MHz Bandwidth
- 75 Ω
- BNC Connectors
- Also available as surface mount

Typical Performance

Passband Amplitude & Group Delay
(1 dB/div & 50 nsec/div)



Overall Response
(5 dB/div)



KR Electronics, Inc.
91 Avenel Street
Avenel, NJ 07001

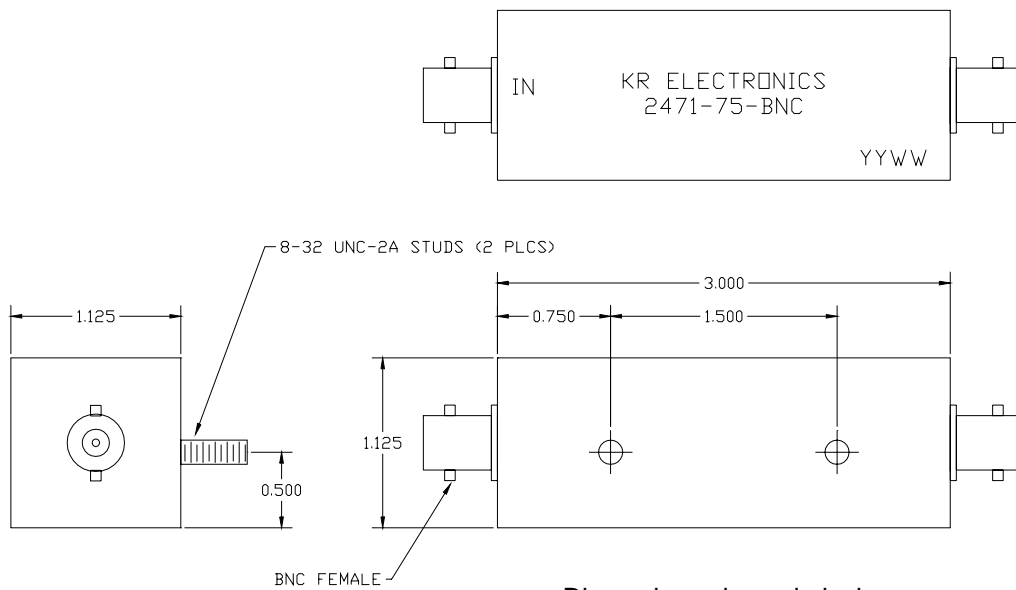
Web www.krfilters.com
Email sales@krfilters.com
Phone (732) 636-1900
Fax (732) 636-1982

KR 2471-75-BNC

Specifications

Parameter	Specification
Filter type	Bandpass
Center Frequency	70 MHz
Insertion Loss	< 2 dB
3 dB Bandwidth	25 MHz \pm 5%
Attenuation at 52 MHz	> 30 dB
Attenuation at 88 MHz	> 30 dB
Source & Load	75 Ω

Physical Dimensions



Dimensions shown in inches
Also available in surface mount